

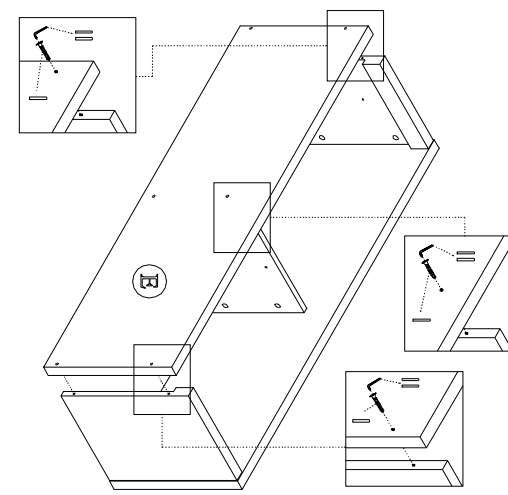
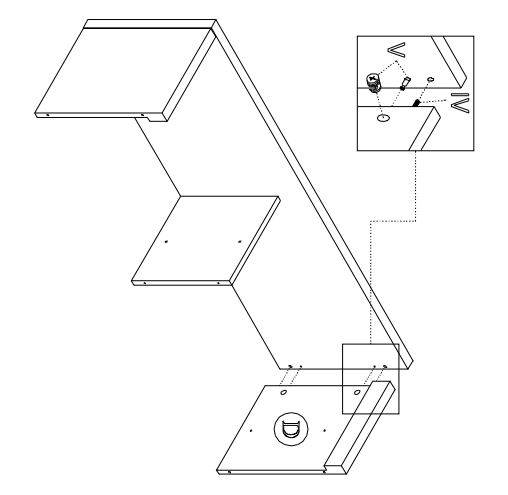
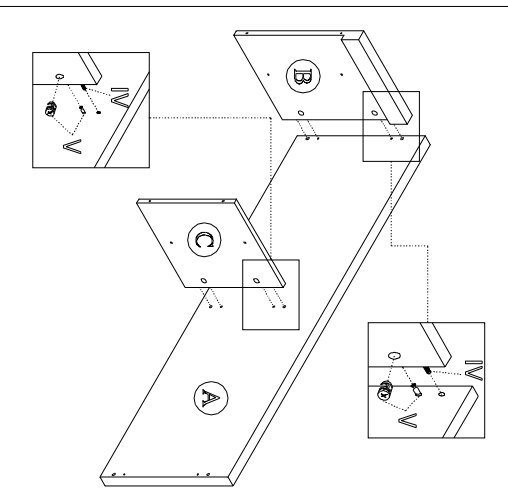
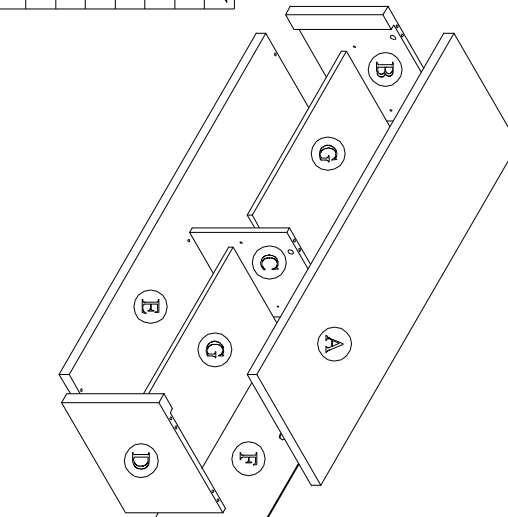
HARDWARE LIST

I		II		III		IV		V		VI		VII		VIII		IX	
Screw M6x45mm	Allen Key	Nail	Wood Dowel	Mintix Cam Pin	Leg	Leg	4x30mm Screw	Shelf Support									

6	1	30	6	6	2	3	10	8
Pcs	Pc	Pcs	Pcs	Sets	Pcs	Pcs	Pcs	Pcs

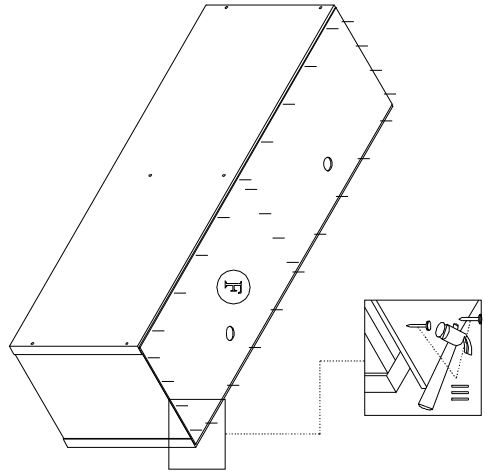
PART LIST

STEP 1

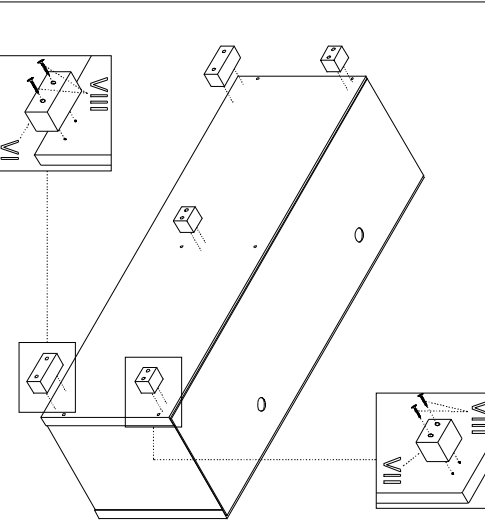


STEP 4

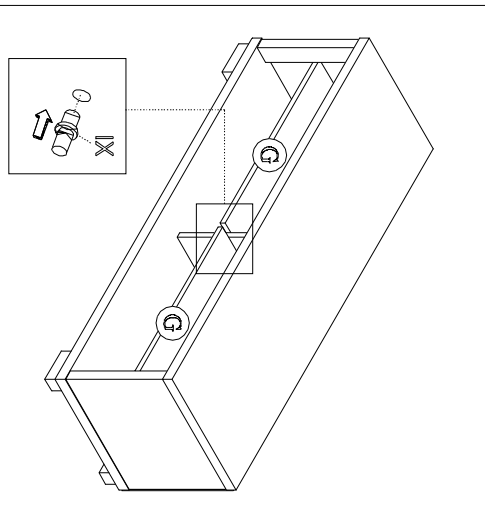
NO	QTY
A	1
B	1
C	1
D	1
E	1
F	1
G	2



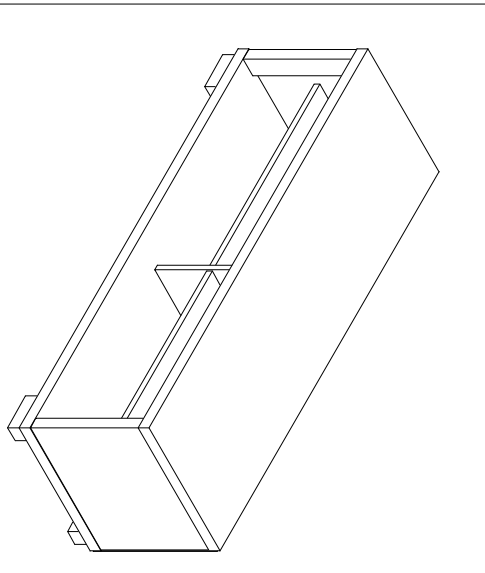
STEP 5



STEP 6



COMPLETE



ASSEMBLY INSTRUCTION

- DO NOT FULLY TIGHTEN THE NUT OR BOLT UNTIL THE PRODUCT IS ASSEMBLED.
(TO AVOID CAUSING DAMAGE TO THE THREAD DO NOT OVER TIGHTEN THE NUT OR BOLTS)
- KEEP ALL HARDWARE PARTS OUT OF REACH OF CHILDREN

DRAWN BY:
C. S. ENG

MODEL:
TSB-EC9127