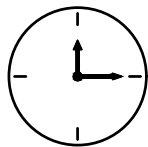
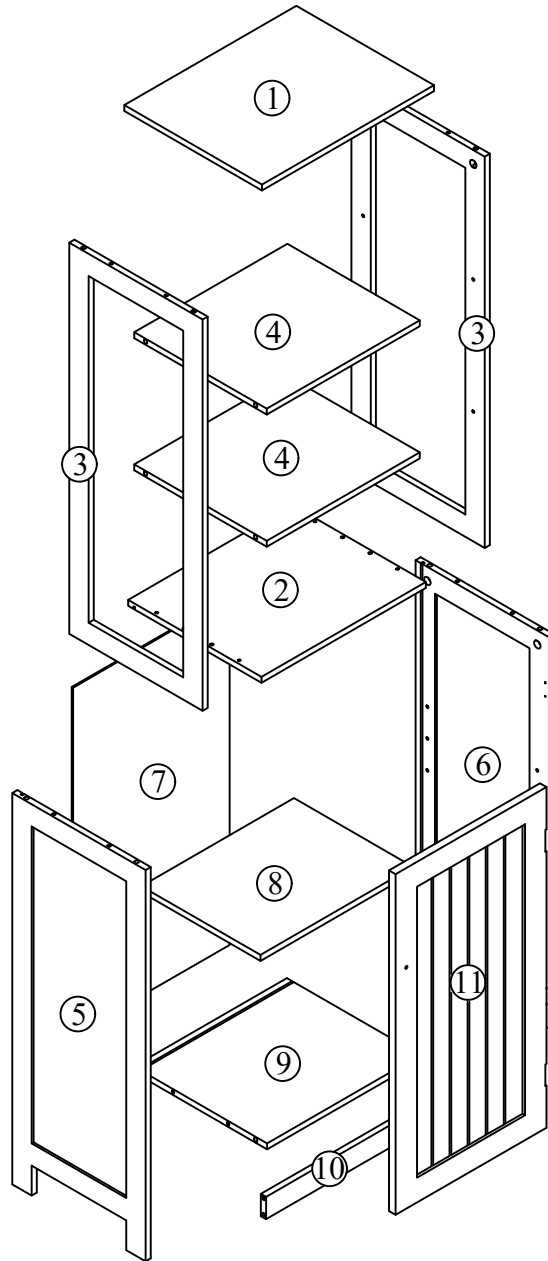
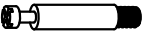

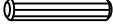
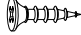
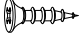












2 PERS.

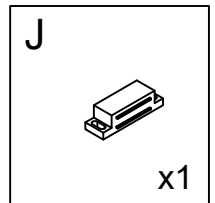
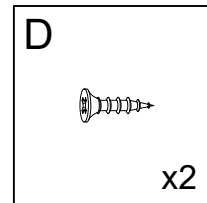
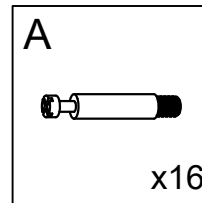
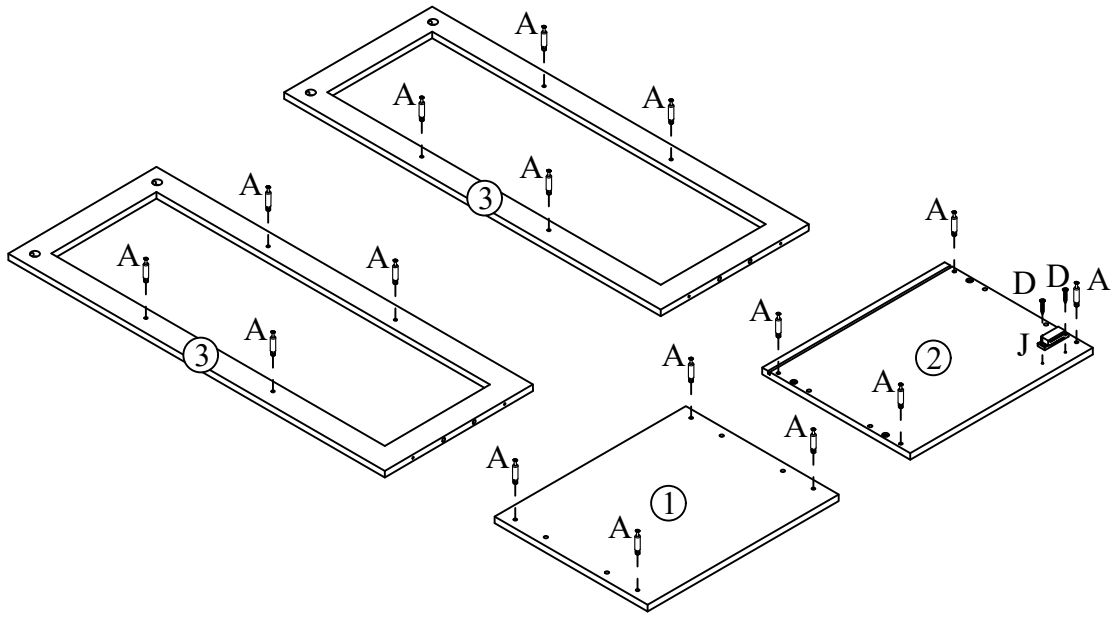


60 MIN

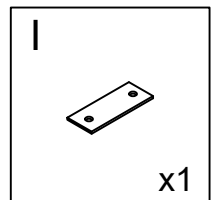
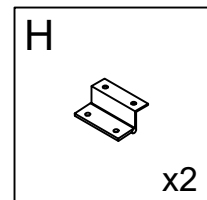
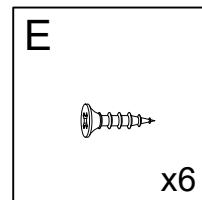
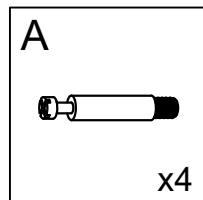
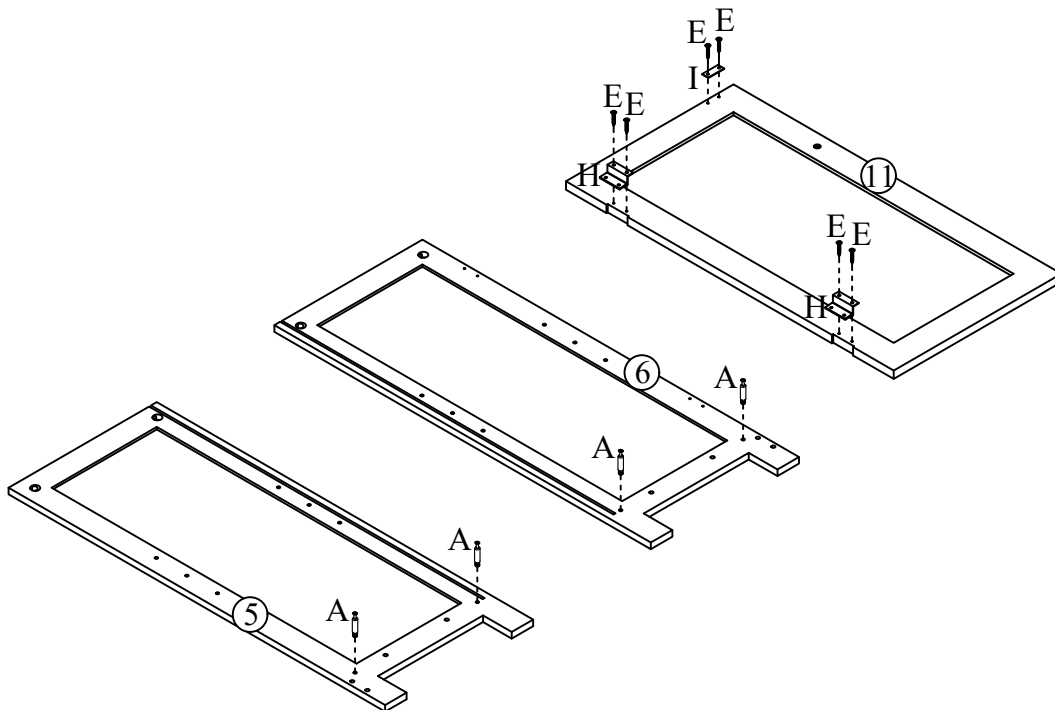


A	x 20	B	x 20	C	x 20	D	x 2	E	x 11
									
Φ6X35mm		Φ15X9mm		Φ6X30mm		Φ3X14mm		Φ3X12mm	
F	x 5	G	x 1	H	x 2	I	x 1	J	x 1
									
Φ4X35mm		M4X18mm							
K	x 1	L	x 4	M	x 1	N	x 6	O	x 1
									

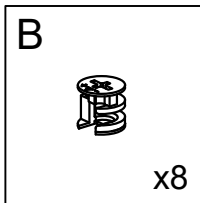
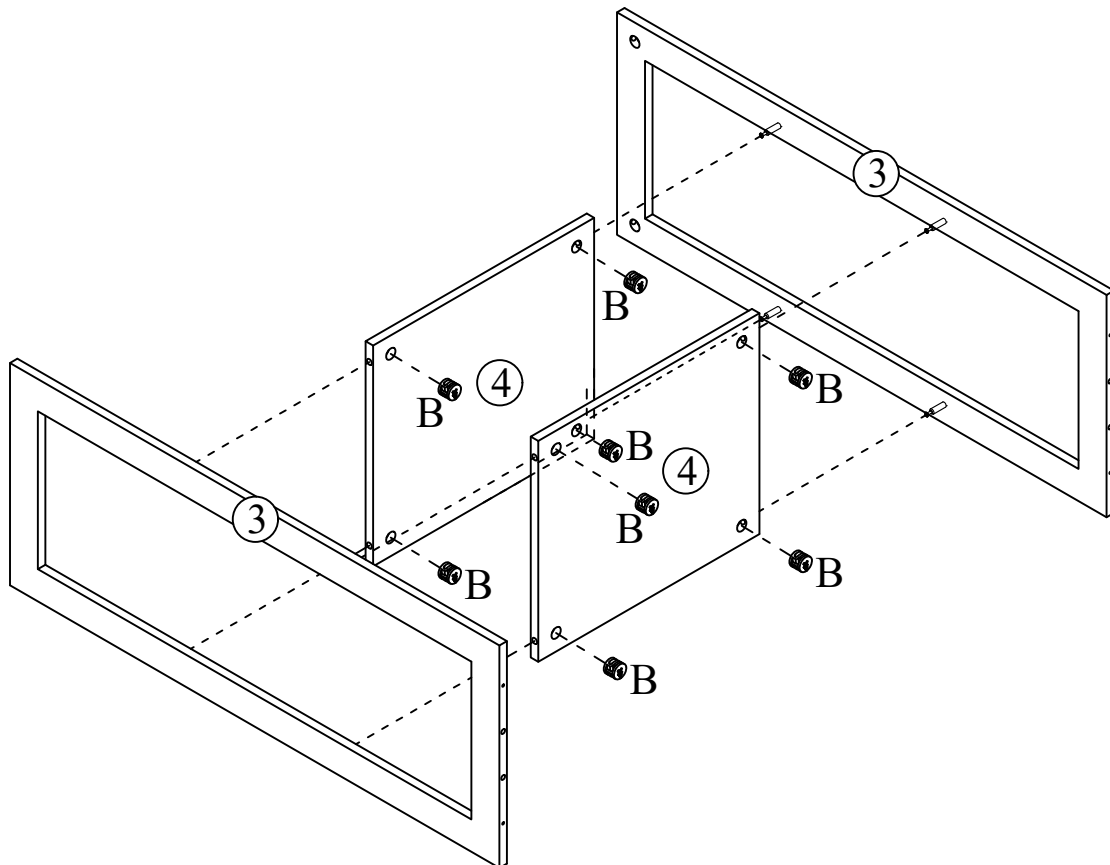
1



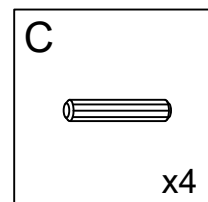
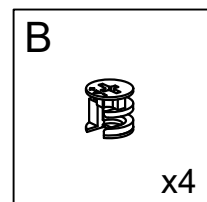
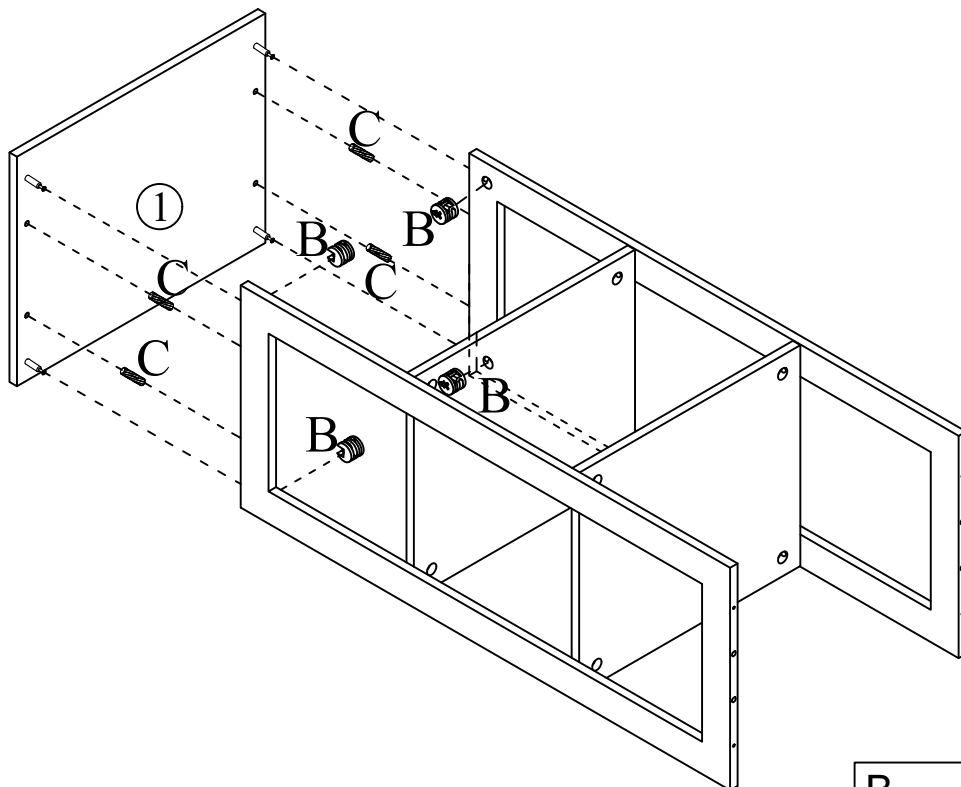
2



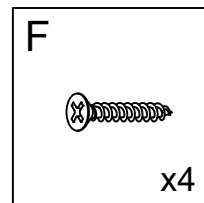
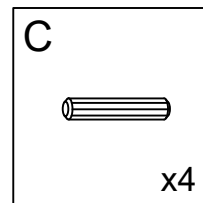
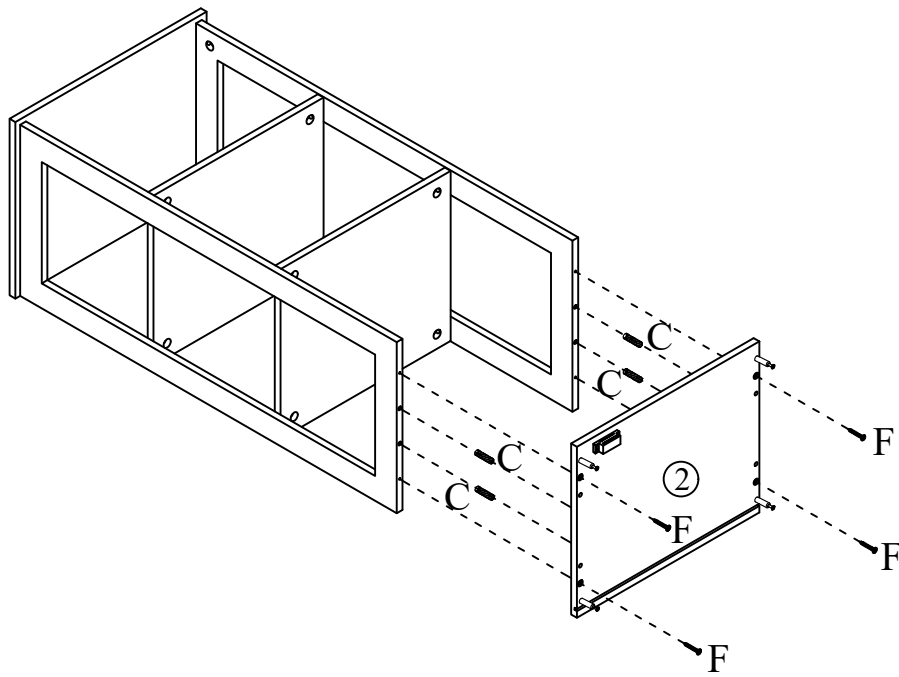
3



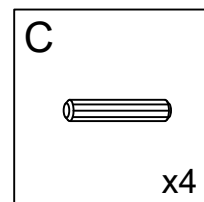
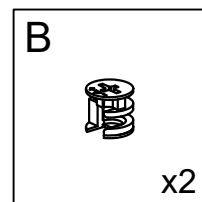
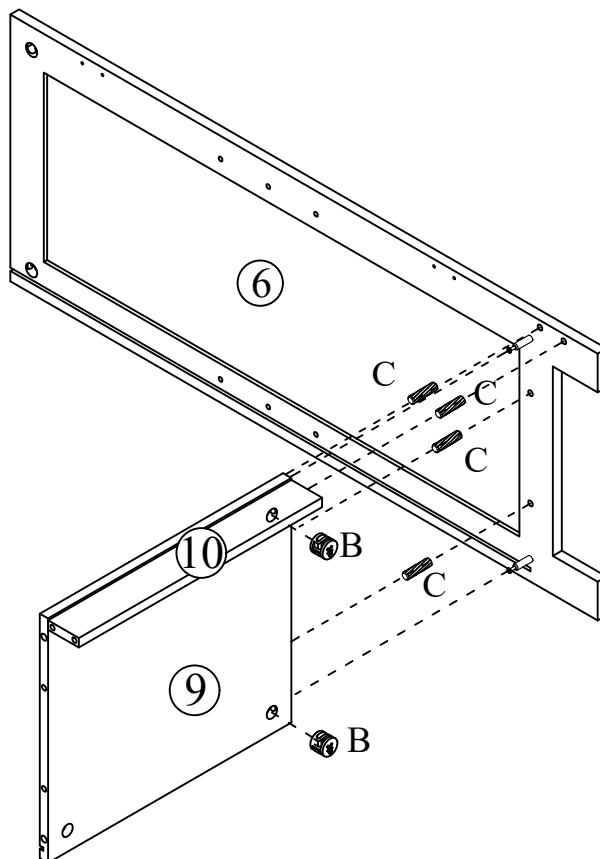
4



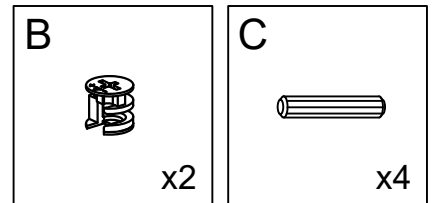
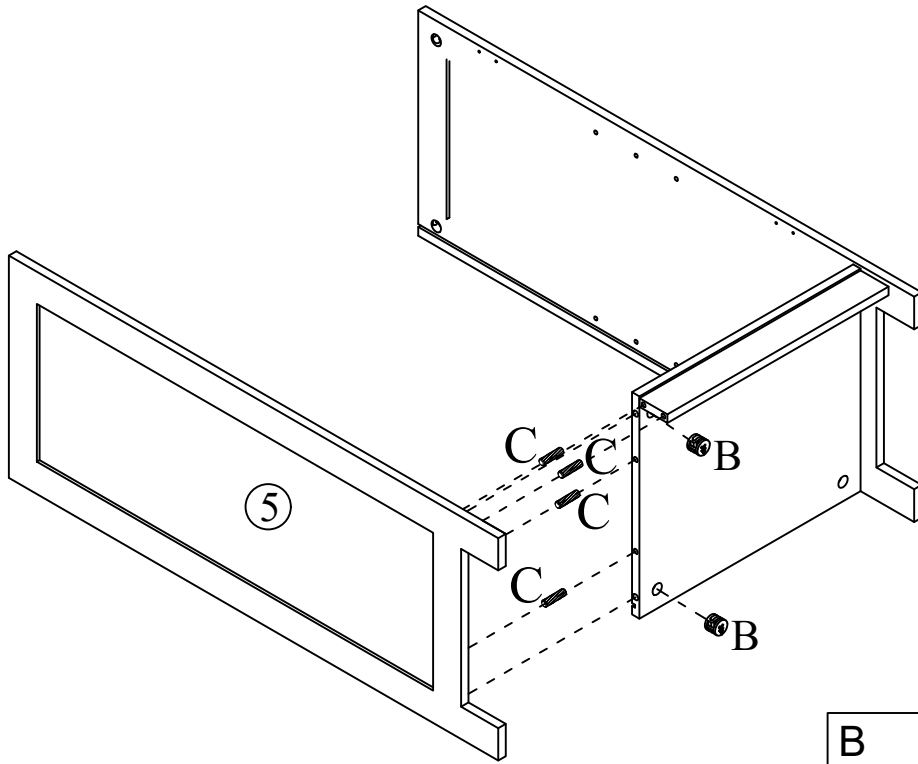
5



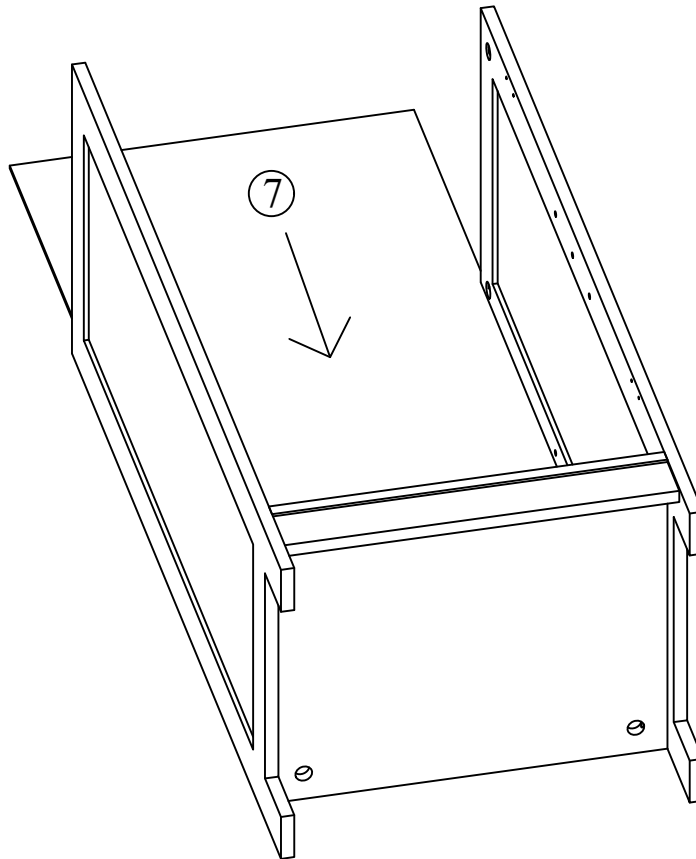
6



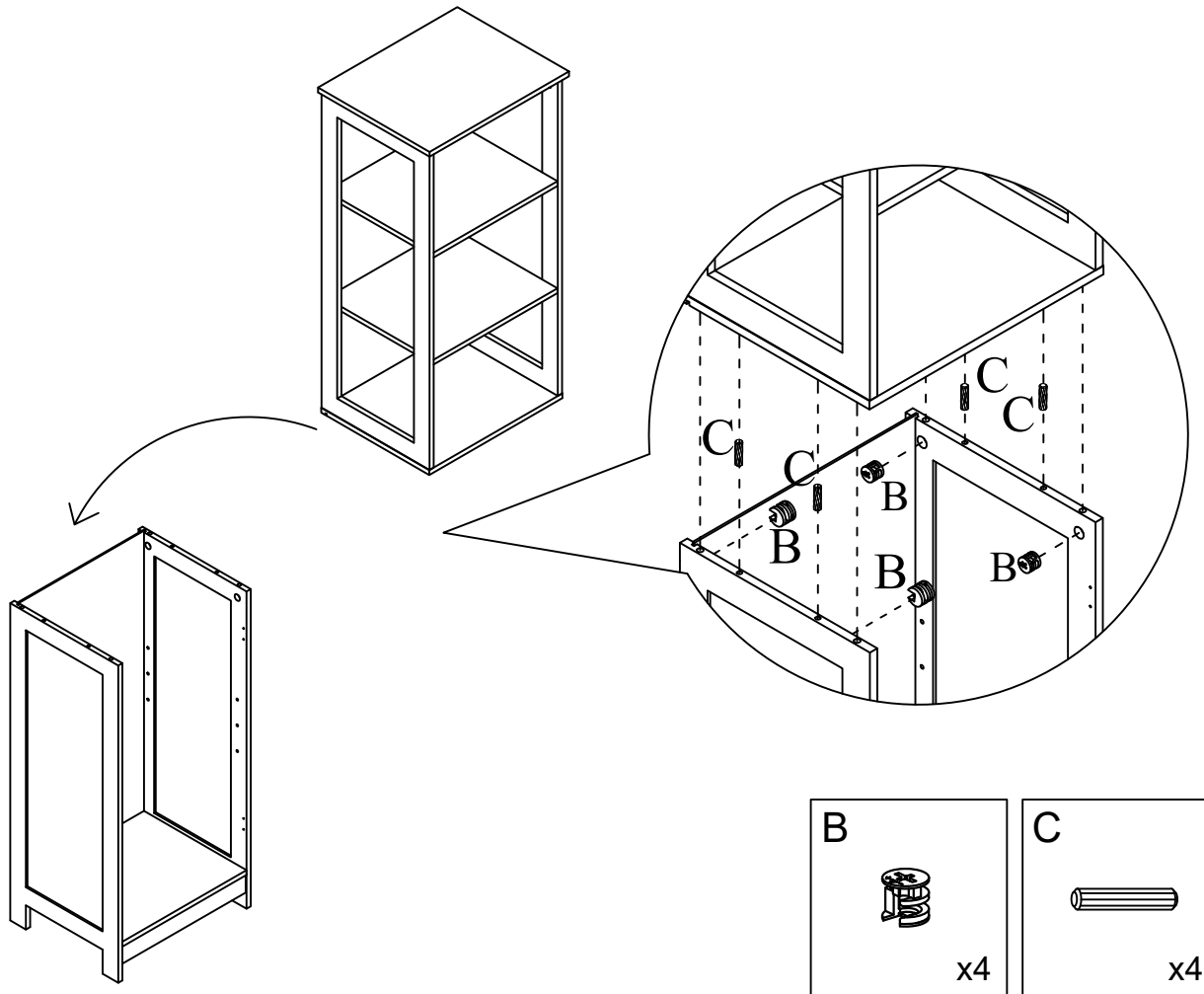
7



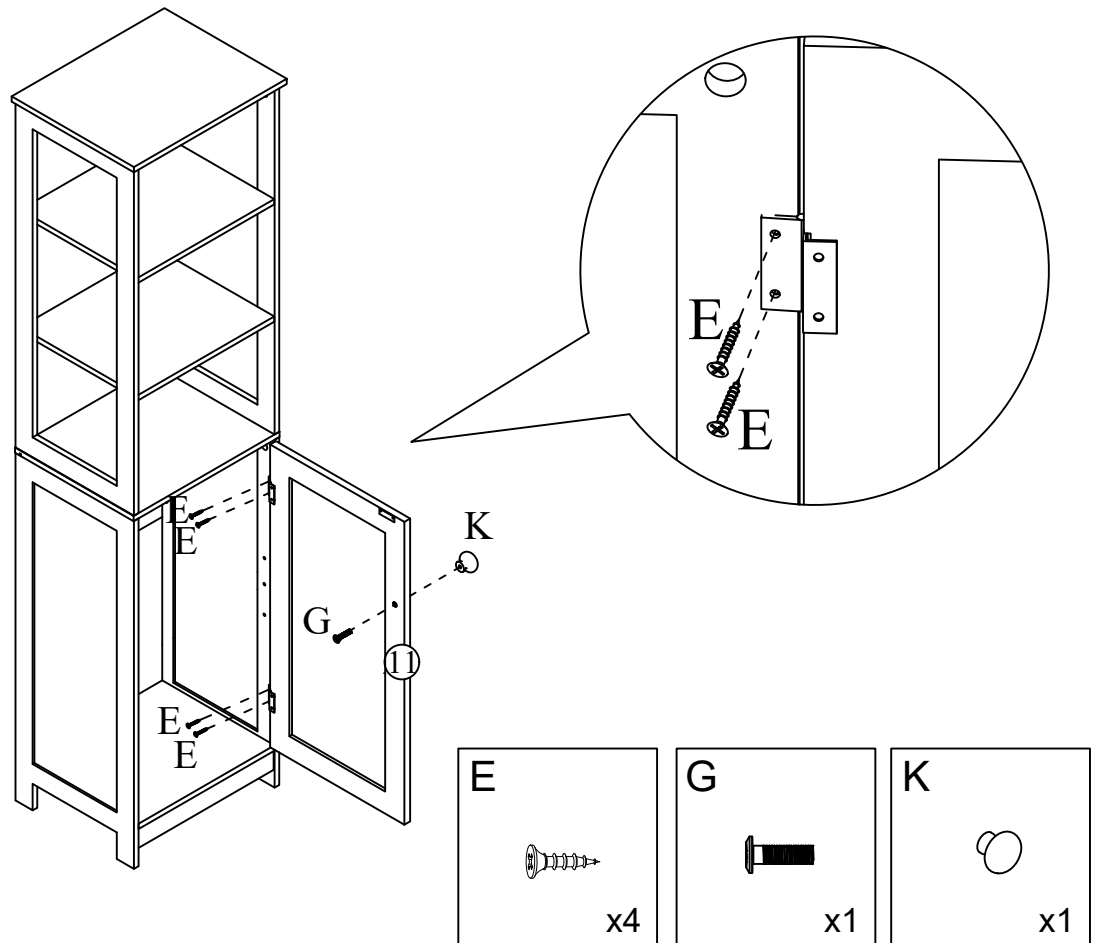
8



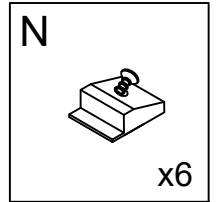
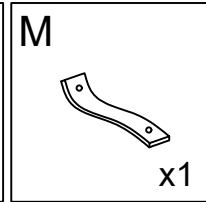
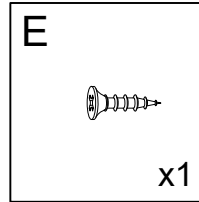
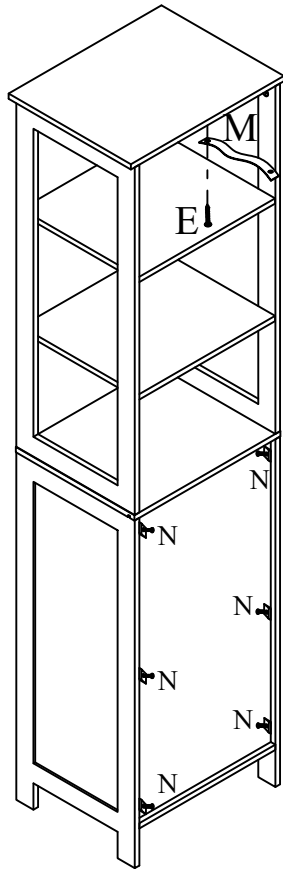
9



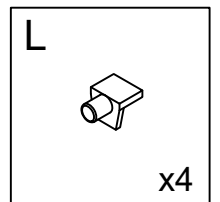
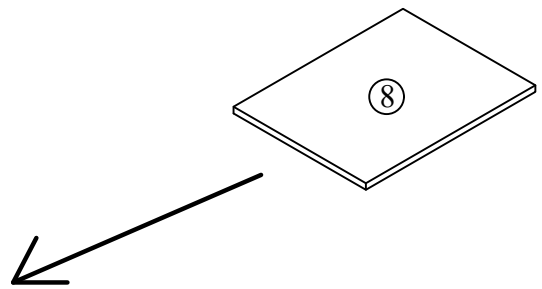
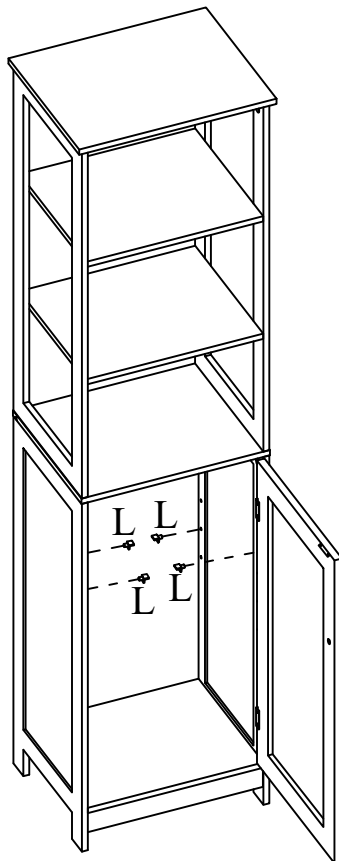
10



11

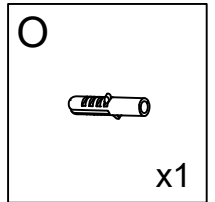
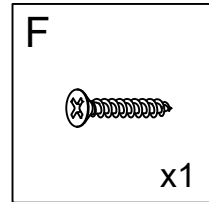
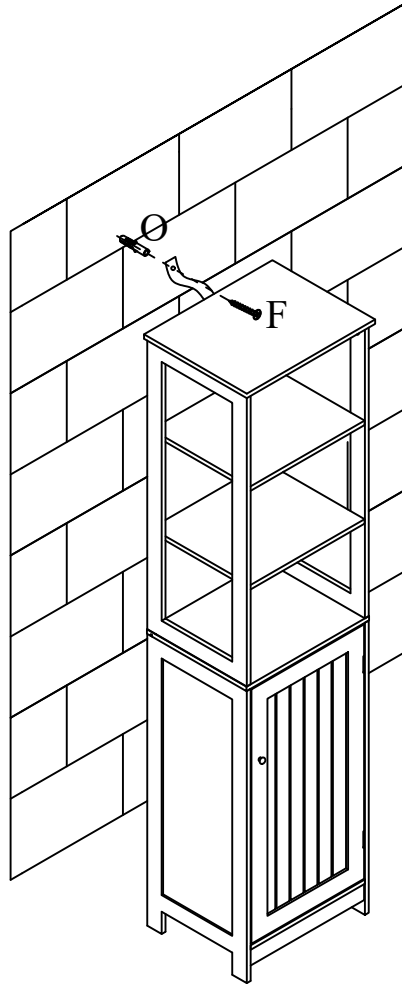


12





13



14

